

## Description

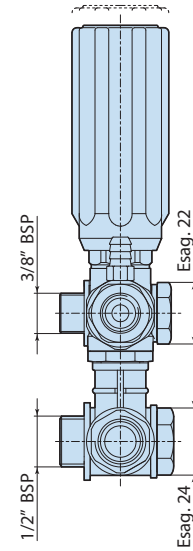
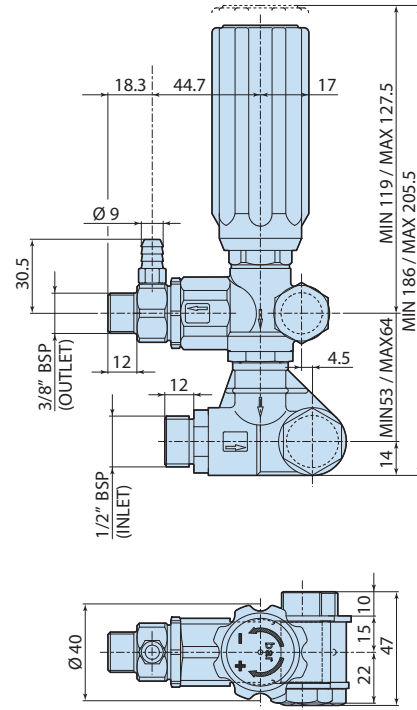
Pressure regulating unloader valve, automatically relieves pressure from pump at shut-off, built-in by-pass.

With detergent injector.

INLET: 1/2" G (M), OUTLET: 3/8" G (M)



Details	Value
Category	Accessories
Series	Regulating Valves - Valvole di regolazione
Versioning	3/B + ID
ARCode	20083
Output (lt/min)	21
Pressure (bar)	Max 250
Pressure (psi)	Max 3600



1568508